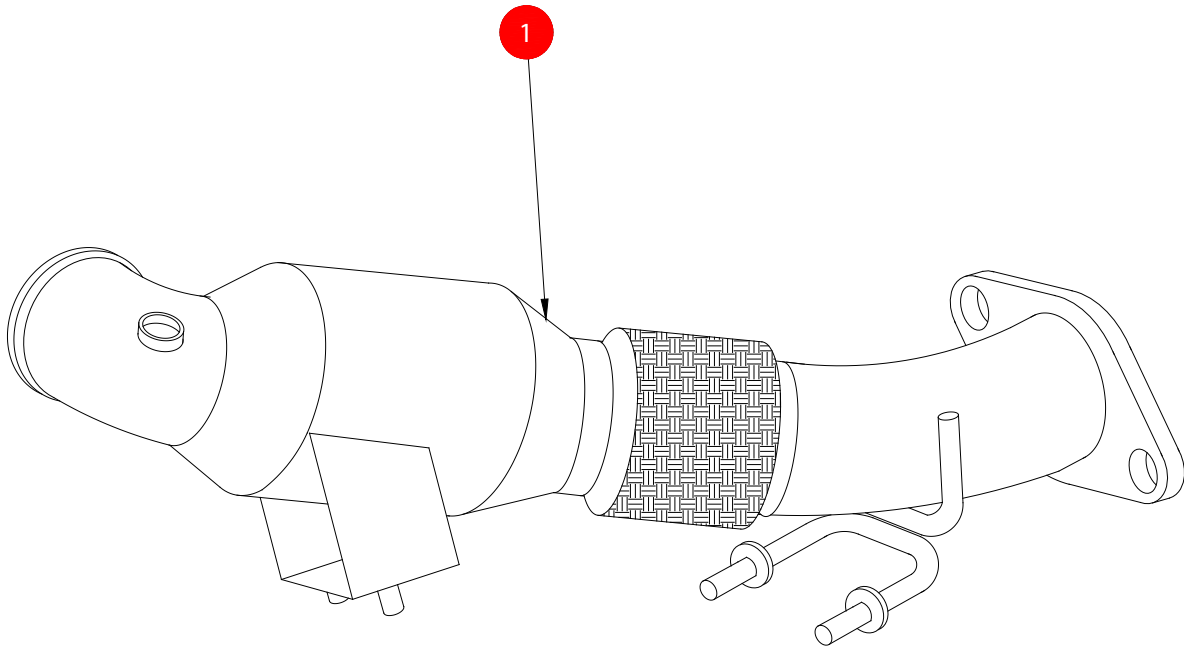


| | | | |
|-------|--|----------|-------------------------|
| CAR | Ford Focus ST 2.0T 250 | PART NO. | SFDX071 |
| YEAR | 12- | FIT KITS | |
| NOTES | Where not supplied use original fittings | FEATURES | Pipe diameter:- 76mm/3" |



| NO. | PART NO. | DESCRIPTION | QTY |
|-----|----------|---------------------------------|-----|
| 1 | 1169FD | Turbo Down Pipe with Sports Cat | 1 |

NOTE: ENSURE SCORPION SYSTEM IS CLEAR OF MOVING PARTS AND ALL ORIGINAL FUNCTIONS WORK CORRECTLY.

| | |
|------------|----------|
| E-MARK | N/A |
| DATE | 10/10/12 |
| ISSUE | 01 |
| AUTHORISED | T.ROWLEY |